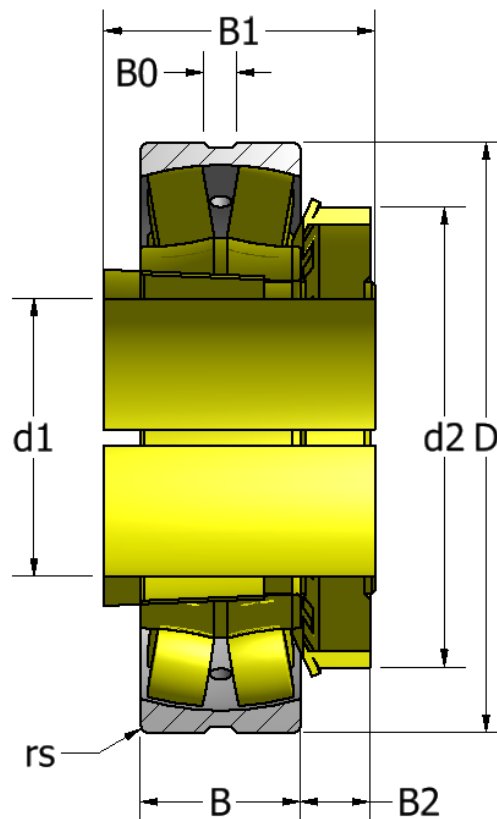


Type T. Double row spherical roller bearing



Bearing No.	Dimensions								Basic Load Rating		Limiting speed
	d_1	D	B	r_{smin}	B_1	d_2	B_2	B_0	Dynamic	Static	Grease
									KN		rpm
22205 K-CW33 + H305	20	52	18	1.0	29	38	8	3.7	43	45	7500
22206 K-CW33 + H306	25	62	20	1.0	31	45	8	3.7	59	62	6300
22207 K-CW33 + H307	30	72	23	1.1	35	52	9	3.7	81	88	5300
22208 K-CW33 + H308	35	80	23	1.1	36	58	10	5.5	88	100	4800
22209 K-CW33 + H309	40	85	23	1.1	39	65	11	5.5	95	105	4500
22210 K-CW33 + H310	45	90	23	1.1	42	70	12	5.5	100	120	4000
22211 K-CW33 + H311	50	100	25	1.5	45	75	12	5.5	120	140	3800
22212 K-CW33 + H312	55	110	28	1.5	47	80	13	5.5	145	175	3400
22213 K-CW33 + H313	60	120	31	1.5	50	85	14	5.5	180	220	3000
22215 K-CW33 + H315	65	130	31	1.5	55	98	15	5.5	190	250	2800
22216 K-CW33 + H316	70	140	33	2.0	59	105	17	5.5	210	275	2600
22217 K-CW33 + H317	75	150	36	2.0	63	110	18	8.3	250	325	2400
22218 K-CW33 + H318	80	160	40	2.0	65	120	18	8.8	305	410	2200
22219 K-CW33 + H319	85	170	43	2.1	68	125	19	8.8	340	450	2200
22220 K-CW33 + H320	90	180	46	2.1	71	130	20	8.3	375	500	2200
22222 K-CW33 + H322	100	200	53	2.1	77	130	21	8.3	405	575	1700